



ITB Series

Commercial/Industrial Tube Heater

Efficiency, economy and performance in one package

One of the most economical radiant tube heaters on the market for heating distribution and production facilities. Built using Infrasave's low cost heating system design, the **ITB Series** energy efficient heater provides comfort and a quick payback period.

Also Available in 2-Stage (SET) Model

Infrasave 2-stage builder series heater adjusts heat output to meet changing heating needs. This heater lowers energy consumption and increases equipment life by reducing ON-OFF cycles by up to 35%.

Experience Counts: Infrasave is the worldwide market leader and most trusted brand with over 2 million heating appliances sold.



Features

- Line voltage and 24 volt thermostat ready
- Whisper-Jet technology makes heater extremely quiet
- Easy access to "clamshell" burner box
- Reflector & end caps improve IR heat

Optional Accessories See back for more details.

- Air Intake Wall Cap
- Horizontal Flue Vent Terminal
- Elbow Kit

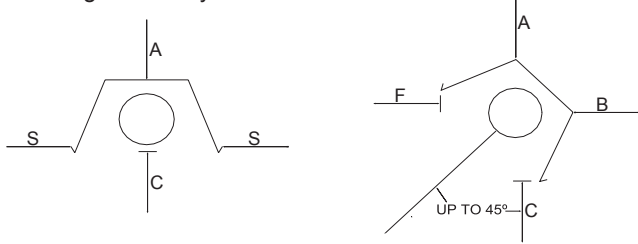
Contact us today for a FREE design and quote!

ITB Series – Technical Specifications, Controls, & Accessories

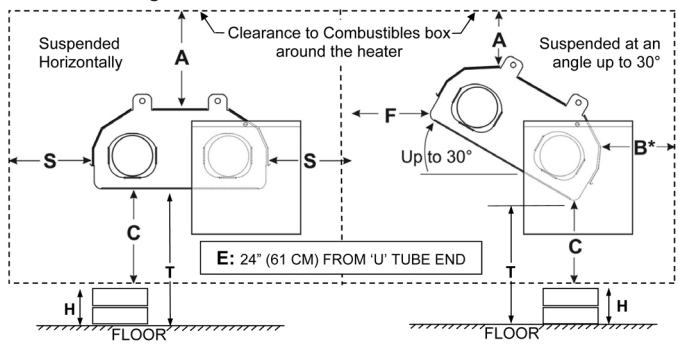
Information below is intended only as a reference and should not be used when installing equipment. Please ensure you locate the most recent instruction manual for accurate and up to date information.

Clearances to Combustibles

ITB Straight Tube System

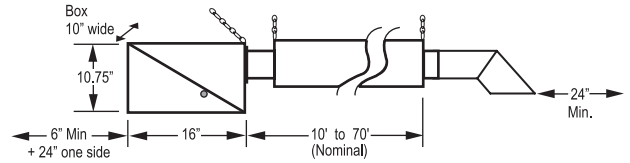


*P40U Packaged U-Tube

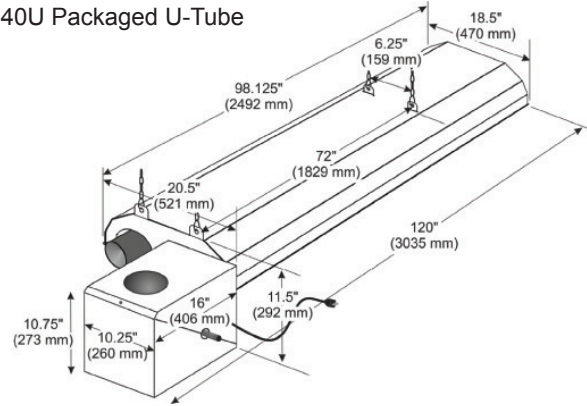


Dimensions and Specifications

ITB Straight Tube System



*P40U Packaged U-Tube



MODEL	SUSPENDED HORIZONTALLY			SUSPENDED AT AN ANGLE UP TO 45°			
	A	S	C	A	B	F	C
ITB 200 (U)	14"	44"	76"	13"	6"	74"	70"
ITB 175 (U)	13"	42"	74"	12"	6"	72"	68"
ITB 155 (U)	11"	34"	70"	10"	4"	50"	64"
ITB 130 (U)	10"	32"	65"	10"	3"	45"	60"
ITB 110 (U)	9"	30"	60"	9"	3"	36"	54"
ITB 100	11"	32"	68"	10"	4"	57"	68"
ITB 80 (U)	7"	24"	42"	7"	2"	31"	38"
ITB 60 (U)	7"	20"	34"	7"	2"	25"	34"
ITB 45 (U)	7"	16"	32"	7"	2"	29"	32"
P40U-I*	12"	24"	55"	12"	12"	36"	55"

MODEL	INPUT BTU/HR U.S.A.: SEA LEVEL TO 2,000' CANADA*: SEA LEVEL TO 4,500'	AVAILABLE LENGTH						
		10'	20'	30'	40'	50'	60'	70'
ITB 200 (U)	200,000					▪	▪	▪
ITB 175 (U)	175,000					▪	▪	▪
ITB 155 (U)	155,000				▪	▪	▪	
ITB 130 (U)	130,000			▪	▪	▪		
ITB 110 (U)	110,000			▪	▪	▪		
ITB 100	100,000		▪					
ITB 80 (U)	80,000		▪	▪	▪			
ITB 60 (U)	60,000		▪	▪				
ITB 45 (U)	45,000		▪					
P40U-I*		▪						
HEATER LENGTH		10' 0"	21' 0"	30' 8"	40' 4"	50' 0"	59' 8"	69' 4"
SHIPPING WEIGHT [LBS.]		100	150	200	240	315	360	430

*HIGH ALTITUDE: De-rate heater 4% for each additional 1,000 Ft. of elevation

Gas pressure	Line minimum:	5" W.C. NG	11" W.C. LP
	Line maximum:	14" W.C. NG	14" W.C. LP
	Manifold:	3.5" W.C. NG	10" W.C. LP
Gas inlet	1/2"		
Flue & air vent	4"		
Electrical	120V, 60 Hz, 1.5 AMPS		

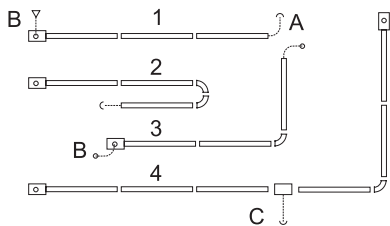
Optional Accessories

Fresh air intake wall cap	JS-0532-VC
4" Horizontal flue vent terminal (wall)	JA-0528-XX
90° Elbow kit with reflector cap (Combine with two 90° to create 180° elbow)	JS-0508-JZ
#2 Lion chain	JL-0800-XX

Consult your local authorized dealer for other Infrasave accessories:

- Line-voltage and 24V thermostat and controls
- Side reflector extensions

Flexible Layout



System Configuration

- Straight line
- "U" tube with two 90° elbow kits
- "L" tube with 90° elbow kit
- Common 6" TEE flue vent

Venting Options

- 4" flue vent through wall or roof
- 4" intake air from wall or roof
- 6" common vent through wall or roof

Distributor Information:

CORPORATE OFFICE
4900 Clyde Park Avenue SW
Grand Rapids, MI 49509
USA

PHONE
616.531.3400
WEBSITE
www.behler-young.com

BEHLER-YOUNG
COMPANY

USA: 2 Schwank Way, Waynesboro, GA 30830 | Canada: 5285 Bradco Blvd. Mississauga, ON L4W 2A6
Tel: 1-877-446-3727 | Fax: 1-866-361-0523 | www.infrasave.com | csr@infrasave.com



M020615 RL: v1.10 RD: Aug-2022